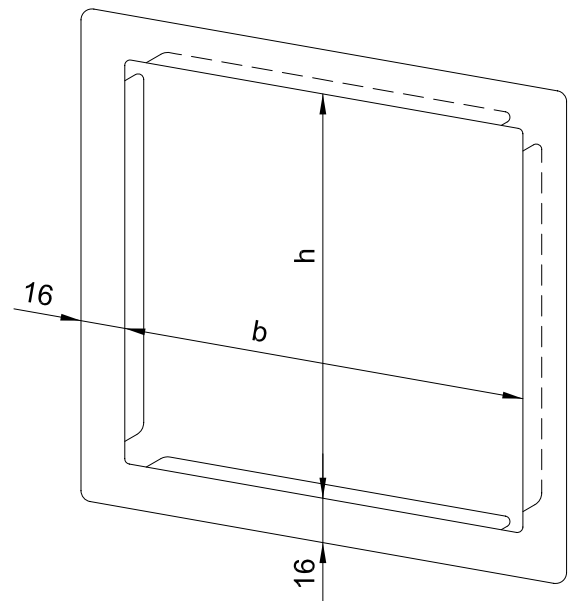


for flush-mounted models

- All-round covering frame in robust, germ-reducing and easy-care stainless steel (AISI 304), satin finished and brushed.
- Angle profile 16 x 16 mm.
- Dimensions: for flush-mounted models with the following dimensions:
 - 148 x 148 mm (ID No. 768 970) for WP106
 - 148 x 348 mm (ID No. 768 646) for WP167
 - 148 x 448 mm (ID No. 768 643) for WP161/208
 - 298 x 148 mm (ID No. 768 658) for WP170
 - 298 x 298 mm (ID No. 768 645) for WP114
 - 298 x 396 mm (ID No. 768 655) for WP1200
 - 298 x 448 mm (ID No. 768 644) for WP112
 - 298 x 598 mm (ID No. 768 647) for WP134/138
 - 298 x 645 mm (ID No. 768 652) for WP501
 - 298 x 748 mm (ID No. 768 654) for WP612
 - 298 x 898 mm (ID No. 768 650) for WP530
 - 298 x 1048 mm (ID No. 768 649) for WP540/5010
 - 298 x 1198 mm (ID No. 768 653) for WP610/5110/5120
 - 298 x 1348 mm (ID No. 768 648) for WP500
 - 350 x 448 mm (ID No. 768 656) for WP1310/1311
 - 350 x 580 mm (ID No. 768 657) for WP1410/1411
 - 448 x 148 mm (ID No. 768 663) for WP506
 - 448 x 1198 mm (ID No. 768 659) for WP5410/5420
 - 448 x 1348 mm (ID No. 768 660) for WP5450/5451/5710/5720
 - 530 x 936 mm (ID No. 768 662) for WP2110
 - 900 x 566 mm (ID No. 768 661) for WP2010
- Also available in a polished finish.



Suggested text for specifications:

Covering frame for flush-mounted models in stainless steel (AISI 304), satin finished and brushed. Angle profile 16 x 16 mm.

Dimensions ... x ... mm