

COMBINATION PAPER ROLL/WASTE WP5456



448 x 1348 x 220 mm

Sensor paper roll dispenser battery-powered, 48 l waste bin

- Combination consisting of a sensor paper roll dispenser (battery-powered) and a waste bin in robust, germ-reducing and easy-care stainless steel (AISI 304).
- All-stainless steel housing; all corners fully welded, visible surfaces satin finished and brushed. Further available surfaces: see below.
- Paper roll dispenser with touch-free operated, capacitive sensor technology, sensor distance approx. 3.5 cm. Paper length and idle time adjustable. Battery-powered with four standard 1.5 V Mono/LR20/12 A batteries.
- Designed for one paper roll and one reserve roll with dimensions: Width 200-215 mm, outer diameter max. 200 mm, inner diameter 37-40 mm or 48-50 mm.
- Inspection slot to indicate fill level, residual roll function allows a reserve roll to be inserted before residual roll is completely used up.
- Waste bin equipped with removable mesh basket. Capacity approx. 48 l.
- Accessible through lockable doors.
- Keyed alike cylinder locks in corrosion-resistant zinc die-casting.
- Wear parts can be replaced as modules.
- Mounting: With six screws through key holes and one optional anti-theft hole in the back wall.
- Delivery includes fixing material and first fill with one paper roll.
- Weight, including single package: 26.1 kg

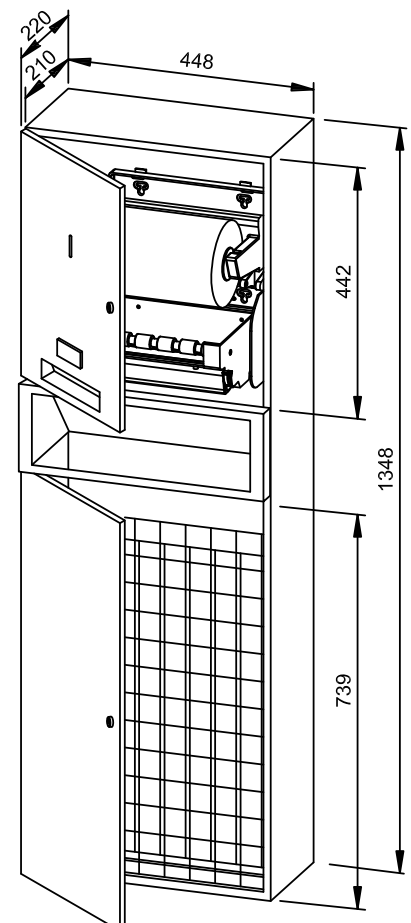


Suggested text for specifications:

Combination consisting of a sensor paper roll dispenser (battery-powered) and a waste bin in stainless steel (AISI 304) for surface mounting. All-stainless steel housing; all corners fully welded, visible surfaces satin finished and brushed. Paper roll dispenser with touch-free operated, capacitive sensor technology. Paper length and idle time adjustable. Battery-powered with four standard 1.5 V Mono/LR20/12 A batteries. Designed for one paper roll with dimensions: Width 200-215 mm, outer diameter max. 200 mm, inner diameter 37-40 mm or 48-50 mm. Inspection slot to indicate fill level. Waste bin equipped with removable mesh basket. Capacity approx. 48 l. Accessible through lockable doors. Keyed alike cylinder locks in corrosion-resistant zinc die-casting. Delivery includes fixing material and first fill with one paper roll.

Dimensions: 448 x 1348 x 220 mm

Article No. WP5456



Available surfaces	ID No.
satin finished (standard)	722 977
highly polished	731 977
(coloured) plastic powder-coating	728 977

Ernst Wagner GmbH & Co. KG

Ernst-Abbe-Straße 21 · D-72770 Reutlingen · Tel.: +49712151539-0 · Fax: -20
info@wagner-ewar.de · www.wagner-ewar.de

WAGNER
EWAR