

PAPER TOWEL DISPENSER LN111



320 x 494 x 138 mm

approx. 750 paper towels

- Paper towel dispenser in robust, germ-reducing and easy-care stainless steel (AISI 304).
- Modular all-stainless steel housing; consisting of a mounting back panel, body and a 2 mm thick, straight front panel, visible surfaces satin finished and brushed. Further available surfaces: see below.
- With deep-drawn paper removal opening for easy paper removal.
- Designed for approx. 750 standard paper towels in zigzag fold. Paper size adjustable: 200-250 mm x 80-115 mm (folded).
- Inspection slot to indicate fill level.
- Accessible for refilling through lockable, foldable or, alternatively removable front panel with fall protection.
- Invisible housing lock on the top, can be unlocked using a magnetic key.
- Wear parts can be replaced as modules.
- Mounting: Wall mounting of the back panel with 4 screws and an optional anti-theft hole, then screwing the body to the back panel and hanging the front panel.
- Delivery includes fixing material and one pack of paper towels.
- Weight, including single package: 8.6 kg

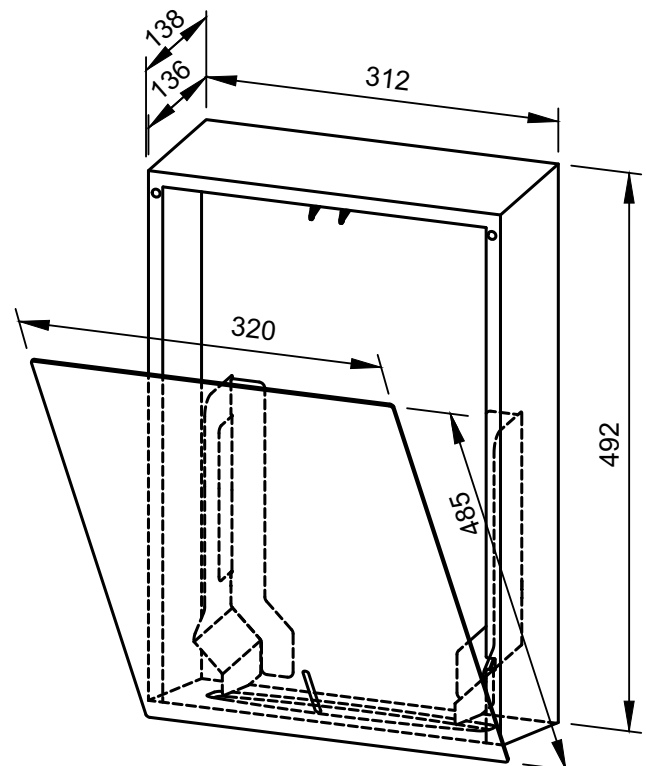


Suggested text for specifications:

Paper towel dispenser in stainless steel (AISI 304) for surface mounting. Modular all-stainless steel housing; consisting of a mounting back panel, body and a 2 mm thick, straight front panel, visible surfaces satin finished and brushed. With deep-drawn paper removal opening, filling quantity approx. 750 paper towels. Paper size adjustable. Inspection slot to indicate fill level. Accessible for refilling through lockable, foldable or, alternatively removable front panel with fall protection. Invisible housing lock on the top, can be unlocked using a magnetic key. Delivery includes fixing material and one pack of paper towels.

Dimensions: 320 x 494 x 138 mm

Article No. LN111



Available surfaces	ID No.
satin finished (standard)	827 138
highly polished	831 138
(coloured) plastic powder-coating	828 138

Ernst Wagner GmbH & Co. KG

Ernst-Abbe-Straße 21 · D-72770 Reutlingen · Tel.: +49712151539-0 · Fax: -20
info@wagner-ewar.de · www.wagner-ewar.de

WAGNER
EWAR