



Mounting suggestions: support rails

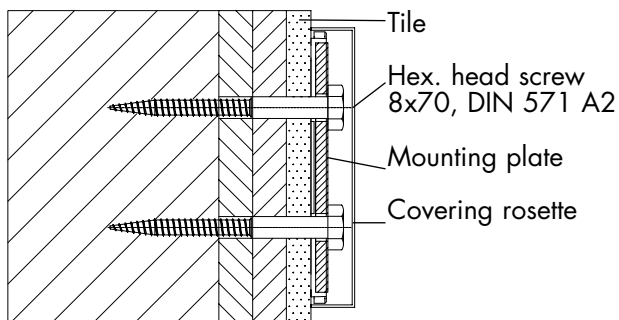
For support rails, hinged support rails and assembly plates, the mounting components are not included with the delivered item. After assessing the site conditions, please use one of the fastening sets listed below as an accessory.

Wagner-EWAR assumes no liability for the selection of unsuitable fixing materials or for improper assembly.

Mounting set:

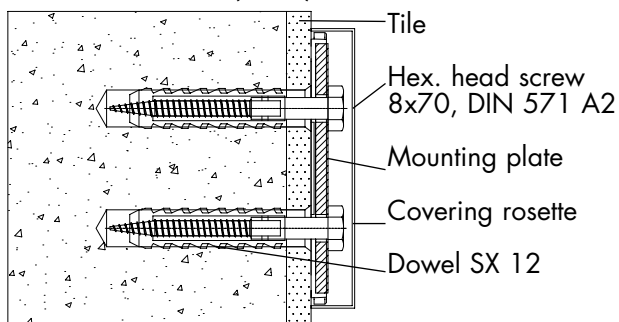
Contents:

No. 1 for wood



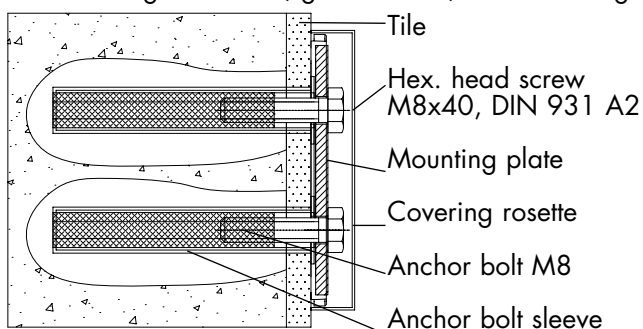
6 hex. head screws

No. 2 for concrete (>B15)



6 hex. head screws
6 dowels

No. 3 for light concrete/gas concrete/vertical coring brick/gypsum bricks



6 hex. head screws
6 anchor bolts
6 anchor bolt sleeves
(Fischer assembling mortar 360S provided by the customer)