

TOILET ROLL HOLDER AC750



127 x 113 x 25 mm

- Toilet roll holder made of 6 or 3 mm thick, germ-reducing and easy-care stainless steel (AISI 304), visible surfaces bead-blasted.
- Designed for one standard toilet roll with dimensions:
Outer diameter max. 125 mm
Width max. 100 mm
Core diameter min. 38 mm
- Square base plate, with three-point attachment set back behind and anti-theft locking screw at the bottom.
- Mounting with three screws.
- Delivery includes fixing material.
- Weight, including single package: 1.0 kg

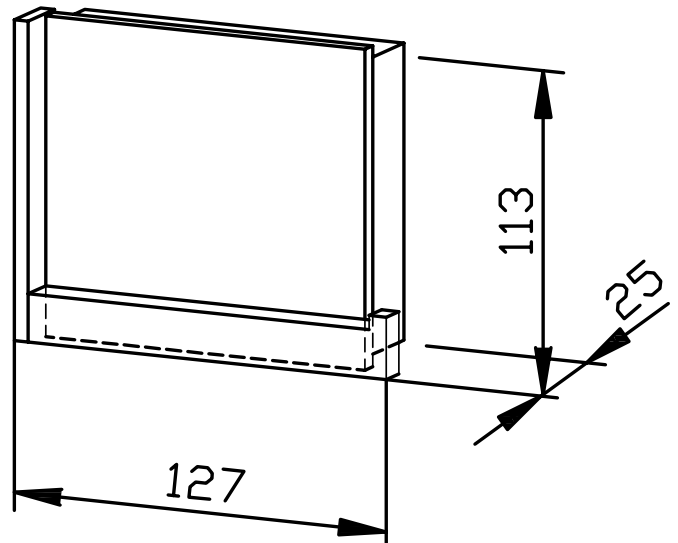


Suggested text for specifications:

Toilet roll holder made of 6 or 3 mm thick, germ-reducing and easy-care stainless steel (AISI 304), visible surfaces bead-blasted, for surface mounting. Square base plate, with three-point attachment set back behind and anti-theft locking screw at the bottom. Delivery includes fixing material.

Dimensions: 127 x 113 x 25 mm

Article No. AC750



Available surface	ID No.
bead blasted	700 750

Ernst Wagner GmbH & Co. KG

Ernst-Abbe-Straße 21 · D-72770 Reutlingen · Tel.: +49712151539-0 · Fax: -20
info@wagner-ewar.de · www.wagner-ewar.de

WAGNER
EWAR